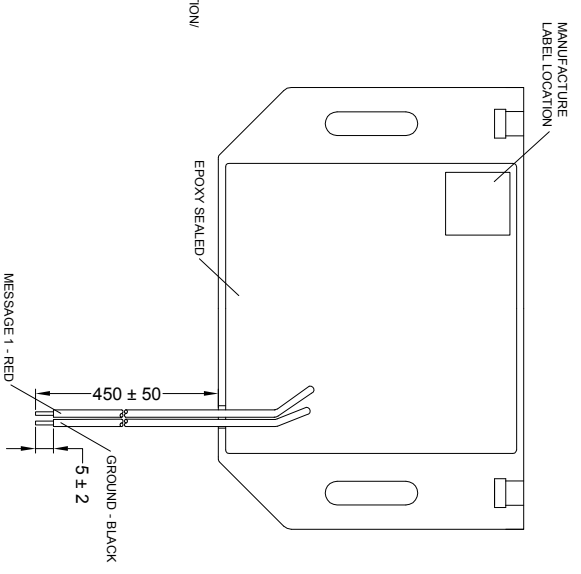
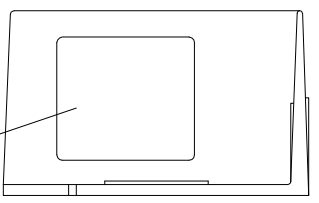
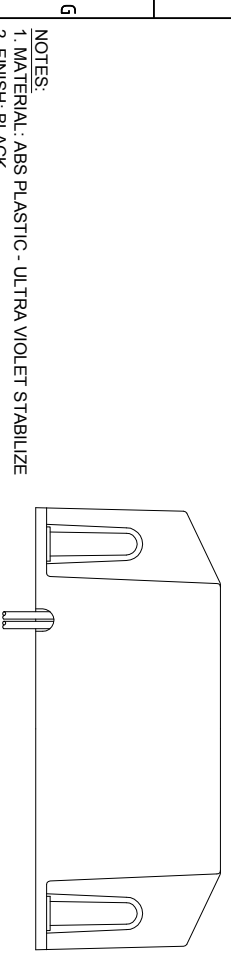
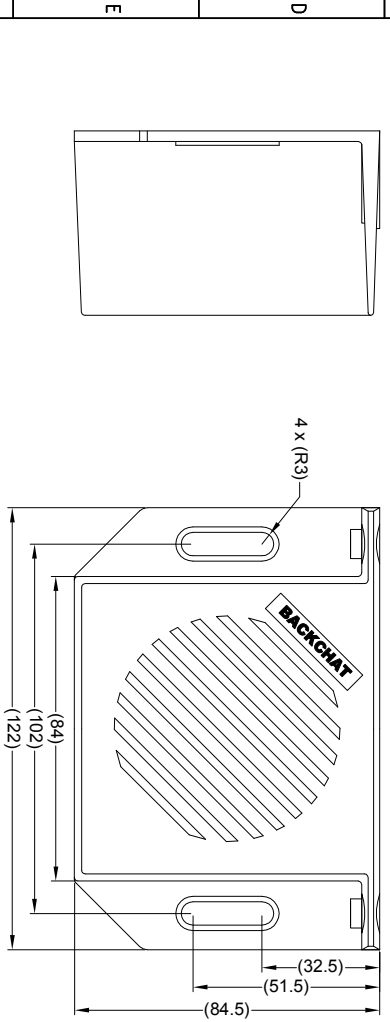
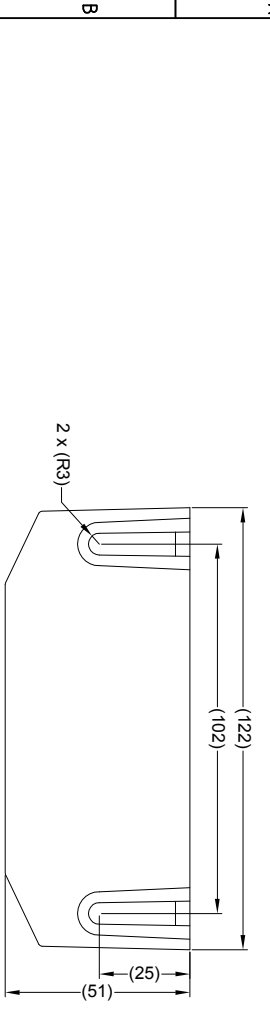


<b>Revision Notes:</b>			
R1 - NOTES UPDATED TO INDICATE CORRECT LABEL DETAILS. STANDARDS UPDATED AS PER ECR CR-A253.			
APR: AHEDDLE	Drawn/BATES	Checked/MIBUTLER	Approved/GPUTH
			Date: 06/02/14



**SPECIFICATION**  
 RATED VOLTAGE: 12 AND 24 VOLTS DIRECT CURRENT (WORKING VOLTAGE RANGE: 10 THRU 30 VOLTS)  
 RATED CURRENT: 0.5 AMPERES OR LESS  
 SOUND PRESSURE: 90±4 DECIBELS AT TEST VOLTAGE OF 14 AND 28 VOLTS  
 CABLE THICKNESS: ALL CABLES 240.2MM  
 MESSAGE(S): "HANDBRAKE NOT APPLIED"  
 MESSAGE LIBRARY NUMBER(S): M1106  
 VOICE/ACCENT: MALE  
 LANGUAGE: ENGLISH

- NOTES:**
1. MATERIAL: ABS PLASTIC - ULTRA VIOLET STABILIZE
  2. FINISH: BLACK
  3. FOR PRODUCT LABEL REFER TO LATEST REVISION OF DRAWING BE-002749-XX-13.
  4. FOR GIFTBOX LABEL REFER TO LATEST REVISION OF DRAWING BE-002325-XX-13.
  5. FOR MANUFACTURE LABEL REFER TO LATEST REVISION OF DRAWING BE-001990-XX-12.
  6. 2 X M6 X 25 BOLTS, 2 X M6 FLAT WASHER & 2 X M6 NUTS ARE SUPPLIED IN A PRESS SEAL BAG IN THE BOX.
  6. POWER & MESSAGE CABLE LENGTHS ARE MEASURED FROM CABLE ENTRY POINT ON HOUSING.

**PROPRIETARY NOTICE**  
 THIS DESIGN AND TECHNICAL INFORMATION APPEARING ON THIS DRAWING IS THE PROPERTY OF BRIGADE ELECTRONICS, AND IS DISCLOSED IN CONFIDENCE. IT IS NOT TO BE COPIED, REPRODUCED, REVEALED TO OR EXPLOITED BY OTHERS, EITHER IN WHOLE OR IN PART WITHOUT THE EXPRESS WRITTEN CONSENT OF BRIGADE ELECTRONICS.

**BRIGADE**  
 www.brigade-electronics.com

 Third Angle	<b>Assembly PI Approval</b> AHEDDLE		<b>Approved by</b> DKERAI	<b>Checked by</b> JHEWMAN	<b>Drawn by</b> MIBUTLER
	<b>Angle of Projection</b>	<b>Units</b> mm	<b>Scale</b> N/A	<b>Released</b> 22/07/11	<b>Assembly Ref</b> BC-01H/BRAKE
	<b>Status</b> RELEASED	BC-01 (H-BRAKE)		<b>Part No</b> #0849	BE-001407-01-11